



# THE ETERNAL PLAN

Lesson #5

January 2, 2019

In this class we have been looking at God's Eternal Plan to save man. One of the key passages that we have been looking at is 1Peter 1:20. In that passage we see that Christ was foreordained before the foundation of the world to do what? Redeem mankind from his sins.

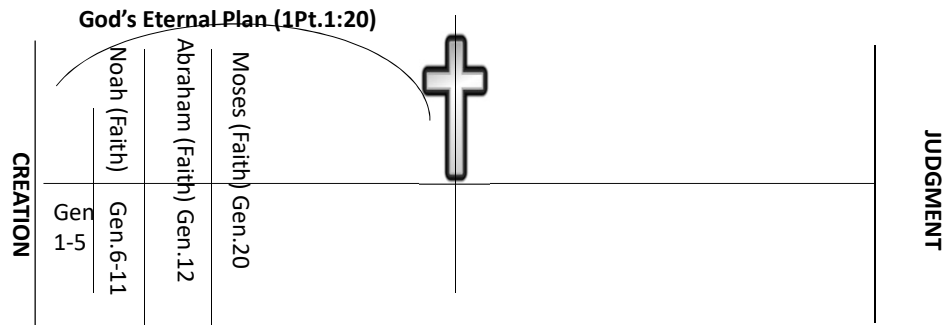
Of course Romans 3:23 reveals that we all have sinned and fallen short of the glory of God.

We also have discussed that just because God knew something before hand, it has never taken away man's ability to choose whether or not he wants to obey God.

Man did indeed make some poor choices, however, throughout the course of history, some men and women made good choices, godly choices which God would honor and reward.

Some of those very key characters are evident as we look our chart (ns).

# God's Eternal Plan



(Explain the chart up to the present moment. Remember key passages that gives us a glimpse of God's plan to redeem man).

We left off in Gen.12 where the Isr left Egypt for the promise land.

Before we go any farther, let's discuss the Period of history that we are going to be studying tonight. The period of history is (ns).

## THE WILDERNESS WANDERINGS PERIOD

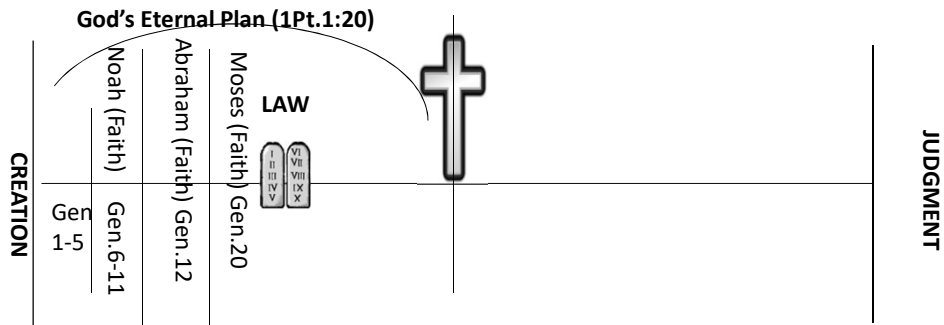
- From Exodus to the crossing of the Jordan River
- Covers Ex.12 through Dt.34
- Main Points:
  - The Crossing the Red Sea Ex.12:1-14:21
  - The March to Sinai Ex.15:22-18:27
  - Events at Sinai Ex.19:1-40:38; Lv.10:1-9; Num. 1:1-3:51
  - From Mt. Sinai to Kadesh Num.10:1-14:25
  - From Kadesh to Moab Num.14:26-17:11; 20:1:21-35

(Read bullets).

Let's consider our bible story for tonight (read notes).

(When arriving at page 27 after reading first paragraph, go to next slide of chart or diagram).

# God's Eternal Plan



One of the things I want you to notice is what God provided for the Israelites on Mt. Sinai. What did he provide for them? **LAW!**

Why did God give them law? (Gal.3:19 read it). Could the Isr keep the law perfectly? No. It exposed them. If anything it helped them see just how much they needed Christ!

Nevertheless, the law helped keep them in check. (Return to previous slide info).

## THE WILDERNESS WANDERINGS PERIOD

- **From Exodus to the crossing of the Jordan River**
- **Covers Ex.12 through Dt.34**
- **Main Points:**
  - **The Crossing the Red Sea Ex.12:1-14:21**
  - **The March to Sinai Ex.15:22-18:27**
  - **Events at Sinai Ex.19:1-40:38; Lv.10:1-9; Num. 1:1-3:51**
  - **From Mt. Sinai to Kadesh Num.10:1-14:25**
  - **From Kadesh to Moab Num.14:26-17:11; 20:1:21-35**

(Continue with story from page 27).

So there are many symbols and figures where God tip his hand and shows us of the coming of Christ. Now, we might not realize it until we get to the NT. However, we discussed some of those things tonight.

## GOD'S PLAN TO REDEEM MAN

- **Moses lifted up the serpent (Num.21:5-9; Jn.3:14)**
- **Just like John, the one who immersed, Moses was overshadowed by Jesus (The Book of Hebrews)**
- **Many comparisons between Moses and Christ**
  - **They were baptized into Moses figuratively speaking (1Cor.10:2). Christians are literally baptized into Christ (Acts 2:38)**
  - **Moses was a prophet and lawgiver; as was Christ (Dt.18:15, Acts 3:22)**
  - **Moses and Jesus mediated covenants (Ex.34:27; Lk.22:20)**
  - **Moses and Jesus led God's people out of captivity (Ex.5:1; Lk.4:18)**
  - **Moses was willing to die for sinners(Ex.32:32); Jesus died for all sinners (Rom.5:6-8)**

(Read bullets).

Providing there is enough time, look at other comparisons.